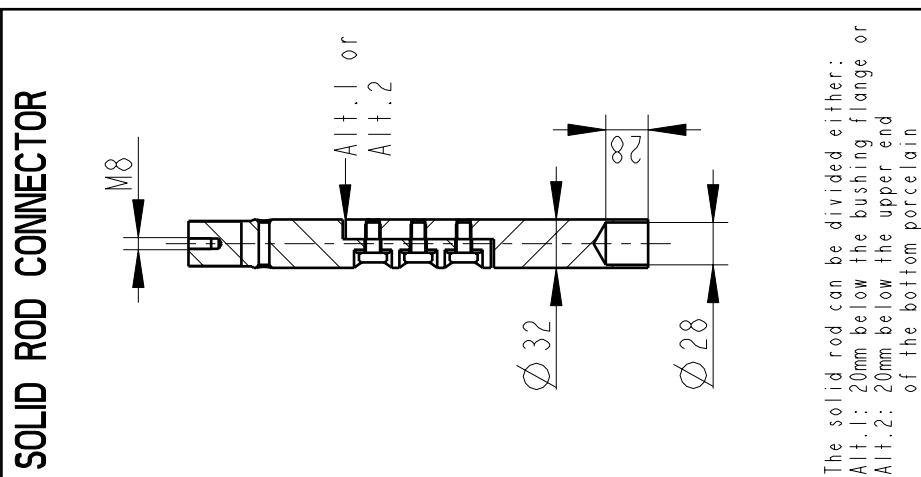
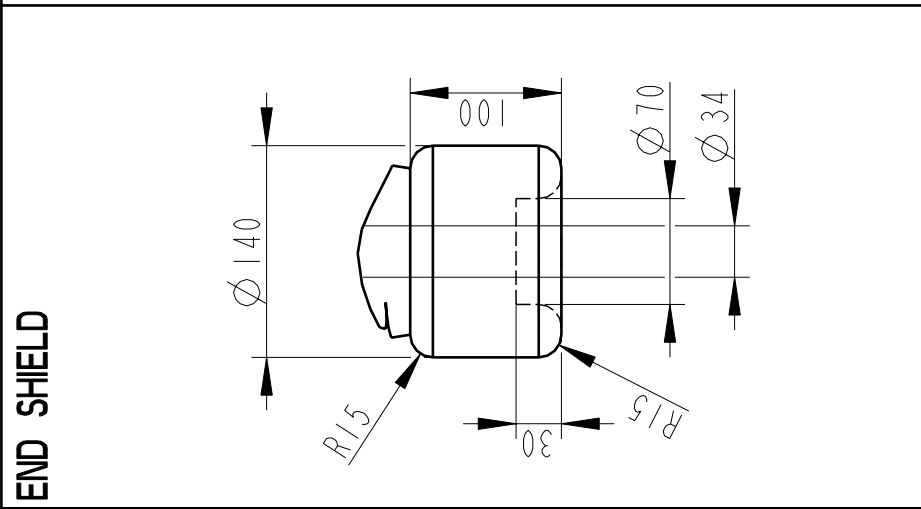


Bushing Data:

Rated Voltage	170	kV
Phase to Ground Voltage	170	kV
Dry Lightning Impulse 1,2/50 μ s	750	kV
Wet power frequency AC	325	kV
Routine test lmin dry 50Hz	350	kV
Rated Current	1250	A
Creepage Distance	4800 \pm 150	mm
Creepage Distance Protected	1700	mm
Mass	197	kg



Ordering Data:

BUSHING
 LF123105-K
 -L
 COLOUR AIR INSULATOR
 BROWN
 LIGHT GREY

OUTER TERMINAL
 LF 170 002-B Cu, \varnothing 30, L=125
 LF 170 001-B Al, \varnothing 30, L=125
 OTHER TYPES ON REQUEST

INNER TERMINAL FOR STRANDED CABLE
 For brazing Conductor area DI
 LF 170 011-T up to 285mm² \varnothing 29
 LF 170 011-V Undrilled with pilot hole \varnothing 5

SOLID ROD CONNECTOR
 LF 170 052 -BA for Alt.1
 LF 170 052 -BB for Alt.2

ABB Components Ludvika, Sweden

No.	Urbly	kv tr	A	5060 Hz	kv
U	SI	AC	mm	V	
M	kg	L	mm	V	
C1	pf	Tan δ			
C2	pf	Tan δ			

Based on

Responsible department	COM/BK
Take over department	Johansson
Database	Hedlund

Reg. No.

Title	GOB 750-1250-0.3
WITH OIL LEVEL GAUGE	
SHORT END SHIELD	

Page 1(1)

Document No. 2751369-225